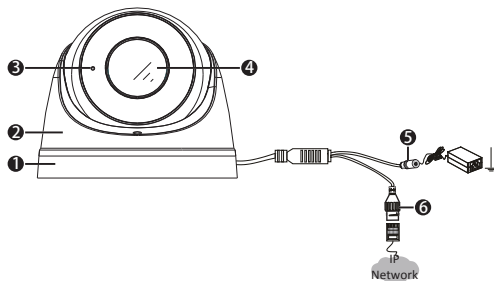


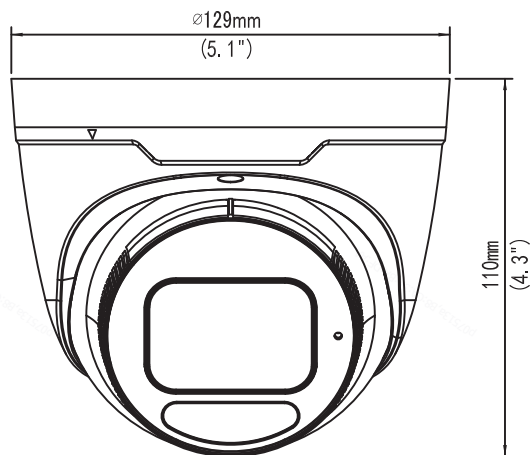
# Smart Turret Network Camera

## Quick Installation Guide

The appearance and tail cable may vary with device model.

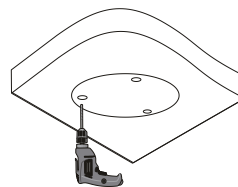


1. Bottom ring	2. Housing
3. Mic	4. Lens
5. Power interface(12V DC)	6. Ethernet interface

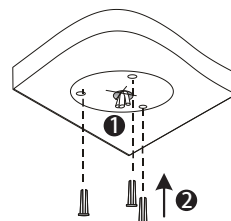


### Installation

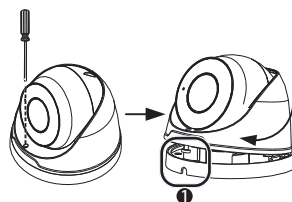
1. Attach the sticker to ceiling, and then drill 30-mm deep guide holes using a drill bit (6mm or 6.5mm in diameter) according to the sticker



2. Insert the plastic anchors.
  - (1) Drill a hole to lead cables out of the ceiling.
  - (2) Knock in plugs.

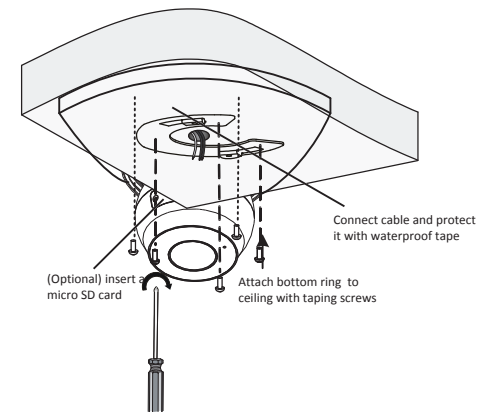


3. Loosen the fixing screw, then remove the housing.

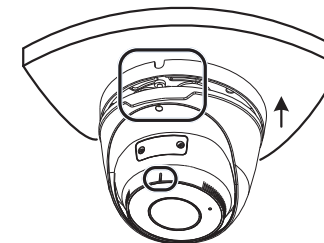


Loosen the fixing screw, then turn the housing to the position shown in figure 1 to remove it.

4. Connect the cable and then secure the bottom ring.

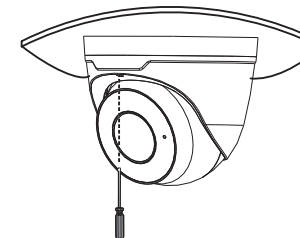


5. Mount the housing.



Adjust the housing to the position shown in figure above. Align the screw hole on the housing with the tail cable outlet on the base, attach the housing gently and then rotate clock/counterclockwise at least 8 degrees to lock. To ensure proper image display and illumination effects, make sure the mark (see figure above) is aligned with the screw hole when installation is complete.

6. Adjust the monitoring direction.



Adjust the monitoring direction, then tighten the screw.